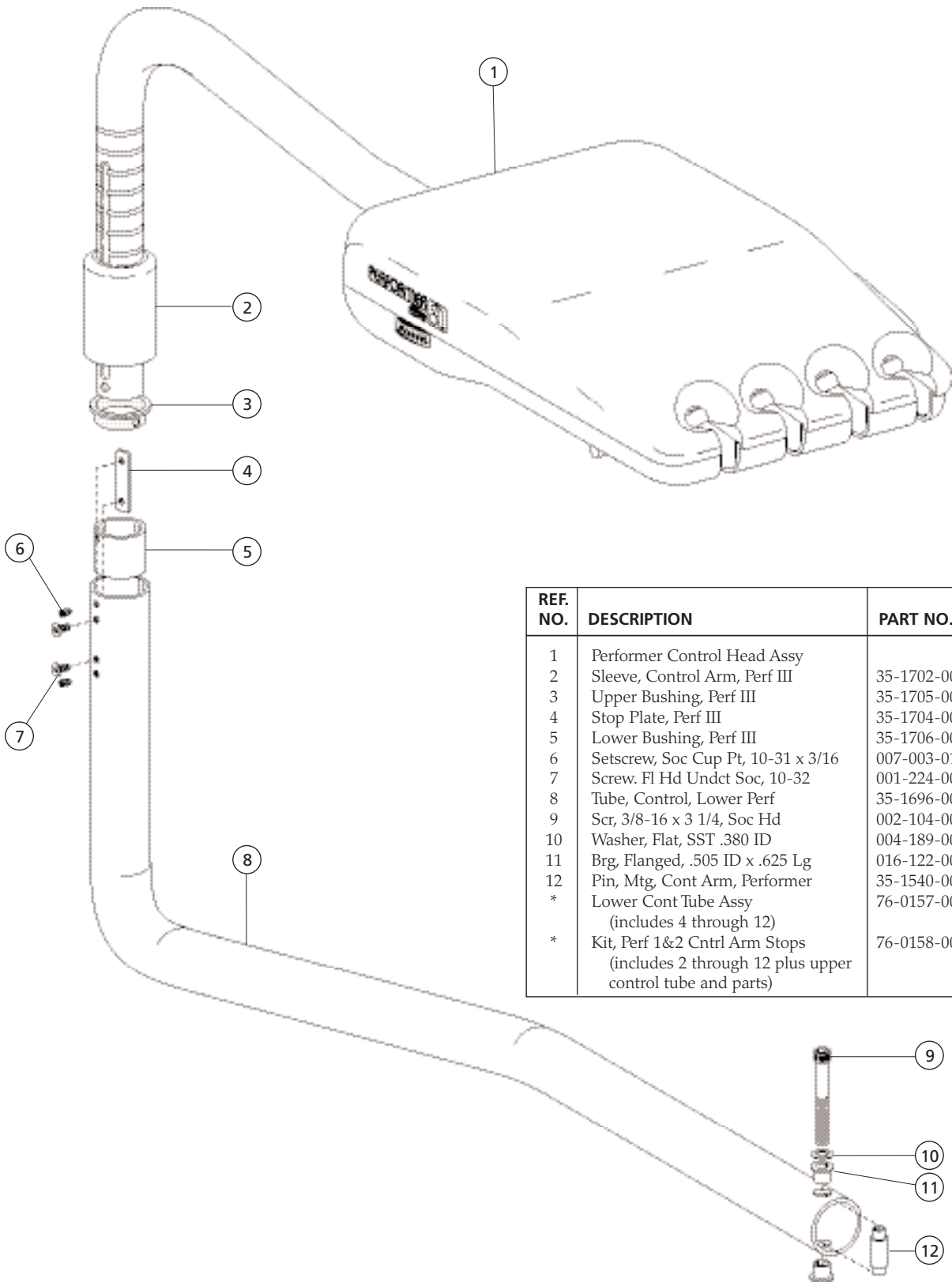


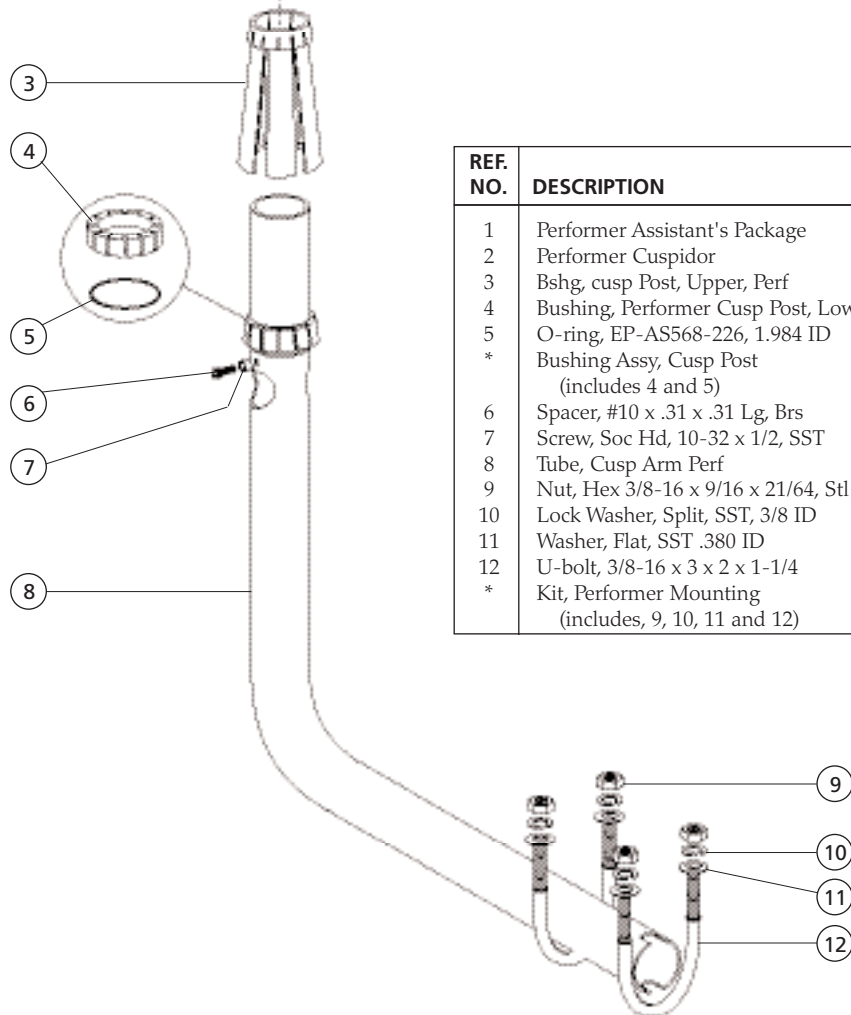
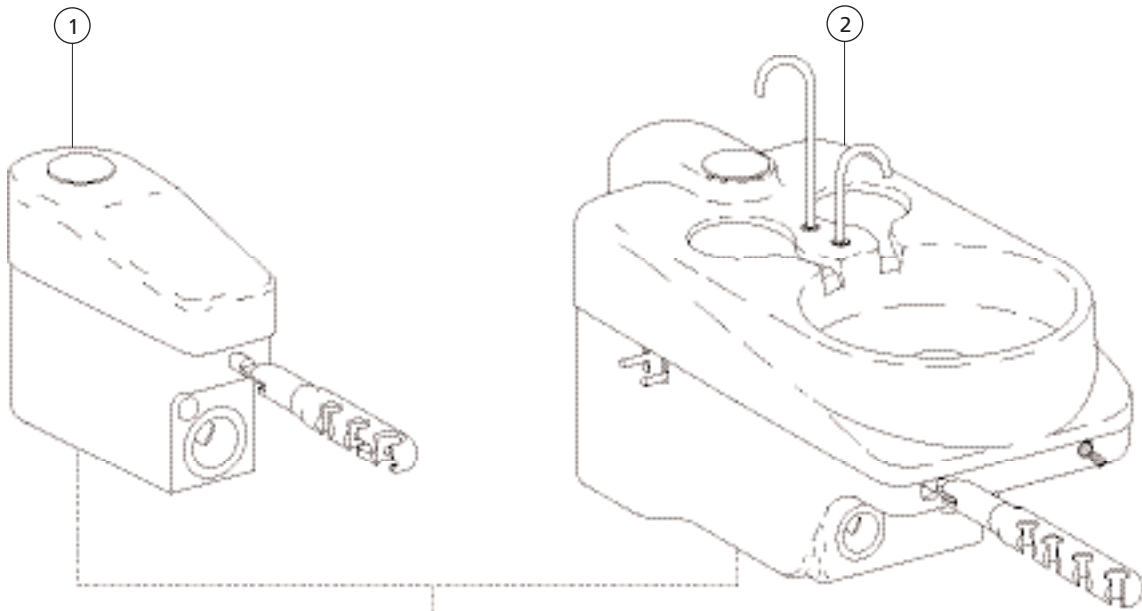
# Performer

# 8100 Performer Control Head and Post



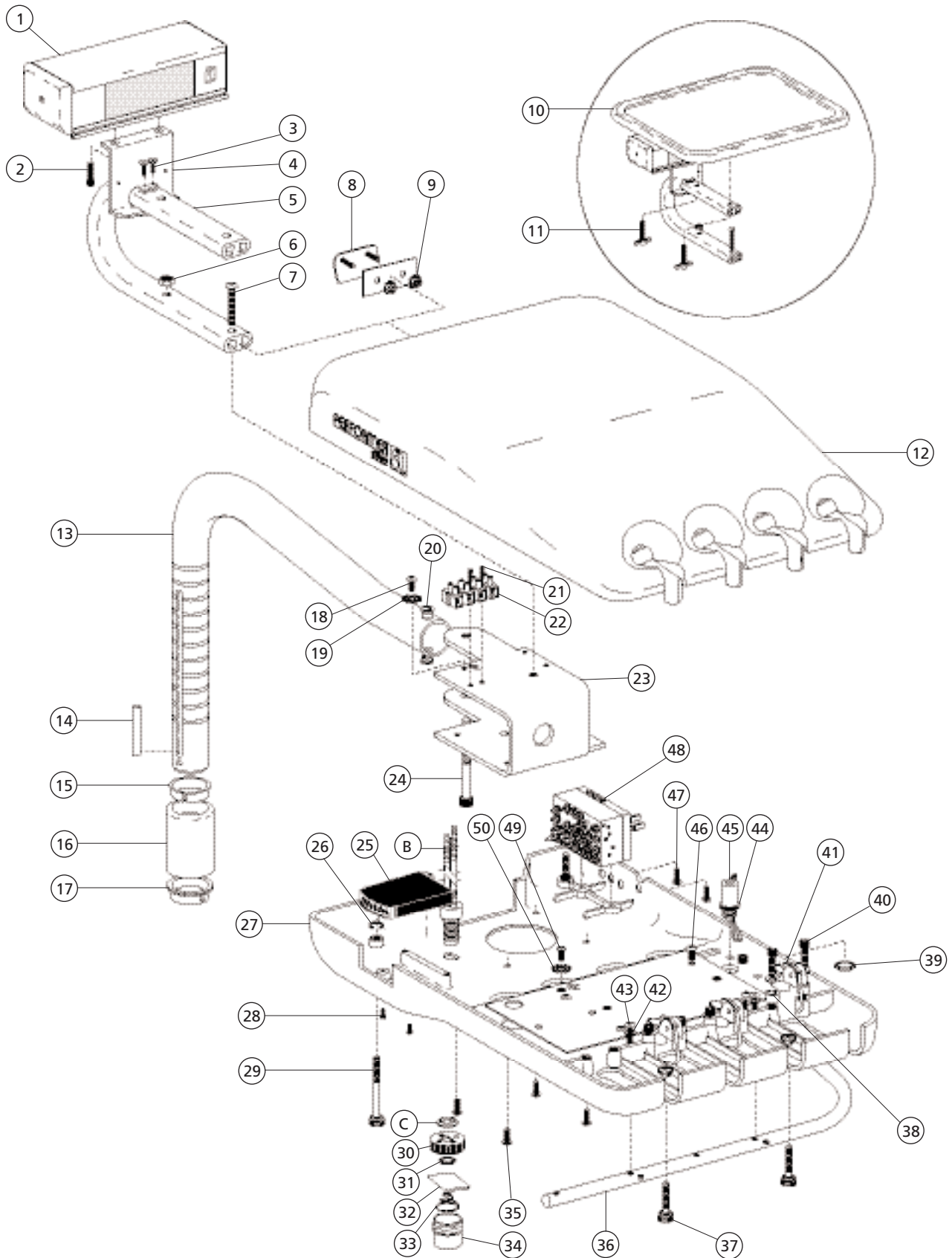
REF. NO.	DESCRIPTION	PART NO.	PAGE
1	Performer Control Head Assy		84
2	Sleeve, Control Arm, Perf III	35-1702-00	
3	Upper Bushing, Perf III	35-1705-00	
4	Stop Plate, Perf III	35-1704-00	
5	Lower Bushing, Perf III	35-1706-00	
6	Setscrew, Soc Cup Pt, 10-31 x 3/16	007-003-01	
7	Screw, Fl Hd Undct Soc, 10-32	001-224-00	
8	Tube, Control, Lower Perf	35-1696-00	
9	Scr, 3/8-16 x 3 1/4, Soc Hd	002-104-00	
10	Washer, Flat, SST .380 ID	004-189-00	
11	Brg, Flanged, .505 ID x .625 Lg	016-122-00	
12	Pin, Mtg, Cont Arm, Performer	35-1540-00	
*	Lower Cont Tube Assy (includes 4 through 12)	76-0157-00	
*	Kit, Perf 1&2 Cntrl Arm Stops (includes 2 through 12 plus upper control tube and parts)	76-0158-00	

## Performer Assistant's Arm, Cuspidor and Post Assembly



REF. NO.	DESCRIPTION	PART NO.	PAGE
1	Performer Assistant's Package		88
2	Performer Cuspidor		86
3	Bshg, cusp Post, Upper, Perf	12-0974-00	
4	Bushing, Performer Cusp Post, Lower	12-0975-00	
5	O-ring, EP-AS568-226, 1.984 ID	034-226-00	
*	Bushing Assy, Cusp Post (includes 4 and 5)	12-1068-00	
6	Spacer, #10 x .31 x .31 Lg, Brs	037-029-00	
7	Screw, Soc Hd, 10-32 x 1/2, SST	002-135-00	
8	Tube, Cusp Arm Perf	35-1700-00	
9	Nut, Hex 3/8-16 x 9/16 x 21/64, Stl	006-130-00	
10	Lock Washer, Split, SST, 3/8 ID	004-190-00	
11	Washer, Flat, SST .380 ID	004-189-00	
12	U-bolt, 3/8-16 x 3 x 2 x 1-1/4	025-086-00	
*	Kit, Performer Mounting (includes, 9, 10, 11 and 12)	12-1062-00	

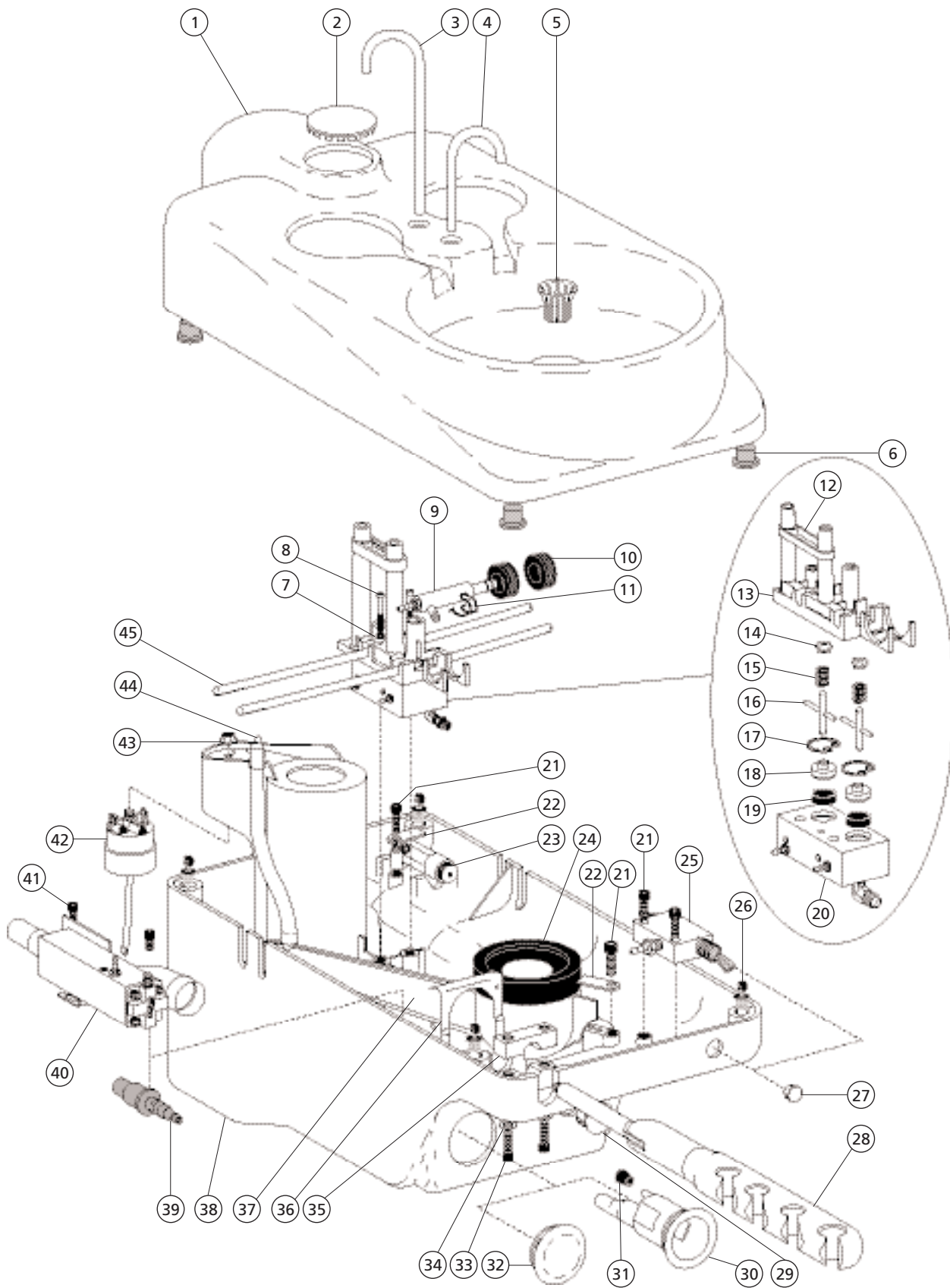
# Performer Control Head and Post with Bitewing Viewer and Tray Holder



## Performer Control Head and Post with Bitewing Viewer and Tray Holder

REF. NO.	DESCRIPTION	PART NO.	PAGE
1	Bitewing Viewer Assy, Perf (includes 2, 3, and 4)	76-8100-00	
2	Screw, 6-32 x 1/4, Soc Hd	001-034-00	
3	Scr, 10-32 x 7/8, Fl Hd Phil	001-184-00	
4	Bracket, Mount, Bitewing	76-8019-00	
5	Kit, Tray Mt. Arm, w/Hdware includes (6 and 7)	76-0138-00	
6	Nut, Hex, Jam 1/4-20 x 7/16 x 5/32	006-075-00	
7	Scr, Btn Hd Soc, 10-32 x 7/8, SST	005-010-01	
8	Hole Cover, Top, Performer	39-1338-00	
9	Nut, Hex, Keps, 6-32 x 1/4 x 1/8	006-092-00	
10	Tray Holder Assy, Molded	39-1380-00	
-	Tray Holder Assy, Large	39-1390-00	
11	Knob Assy, Thmscr, 10-32 x .875, GR	027-070-00	
12	Ctrl, Hsg, Upper, Mach, Performer	39-1117-00	
13	Tube, Control, Upper, Performer	35-1697-00	
14	Pin, Rotation Stop, Perf III	35-1703-00	
15	Stop Ring, Cont Arm, Performer	35-1543-00	
16	Sleeve, Control Arm, Perf III	35-1702-00	
17	Upper Bushing, Perf III	35-1705-00	
18	Scr, Btn Hd Soc, 6-32 x 5/16, SST	001-103-00	
19	Washer, Lock, Stl Pl, Ext Tooth #6	004-075-00	
20	Bearing, Flange .250 ID x .381 OD	016-127-00	
21	Screw, Soc Hd, 4-40 x 1/2 SST	001-021-00	
22	Term, Strp, 30A, 250V, 12-26, 12 Pos	046-005-00	
23	Bracket, Control Hd, Perf	39-1383-00	
24	Screw, Soc Hd 1/4-20 x 2 3/4 Ss	002-119-00	
25	Gauge Assy, Control	39-1347-00	
26	Retaining Ring, External	010-002-00	
27	Ctrl Hsg, Lwr, Mach, Perf	39-1400-00	
28	Scr, 2-28 x 5/16, Pan Hd Phil	003-089-00	
29	Knob Assy, Thmscr, 10-32 x 2.75	027-059-00	
30	Cap, Modified, Oil Collector	24-0416-00	
31	Nut, Hex, 15/32-32 x 9/16 x 3/32	006-009-00	
32	Gauze Pad 2 x 2	026-143-00	
33	Spr, Conc, Comp 1.075 D x .70 FL	013-090-00	
34	Jar, White, 1/4 OZ, 1 x 1, 33MM Td	052-023-00	
35	Screw, Btn Hd Soc, 10-32 x 3/8, SST	005-012-03	
36	Handle, Control, Hd, Perf	39-1382-00	
37	Knob Assy, Thmscr 10-32	027-058-00	
38	Wshr, Splcl .140 ID x .24 Thk x .375	004-186-00	
39	Nut, Hex, 15/32-32 x 9/16 x 3/32	006-009-00	
40	Screw, Soc Hd, 6-32 x 1/2 SST	001-042-00	
41	Micro-Valve Assy, Performer	99-0627-00	
42	Washer, Flat, SST, .203 ID	004-197-00	
43	Scr, 10-32 x 1/2, Btn Hd Soc	005-110-00	
44	Nut, Knurl, 15/32-32	006-069-00	
45	Valve, Tgl, 2-Way, Mom, Gray	33-0009-03	
46	Screw, Btn Hd Soc, 6-32 x 3/8 SST	001-167-00	
47	Screw, Btn Hd Soc, 6-32 x 3/8 SST	001-167-00	
48	Cont. Block Assy w/Tubing	38-0729-00	89
49	Scr, Btn Hd Soc, 6-32 x 5-16, SST	001-103-00	
50	Washer, Lock, Stl Pl, Ext Tooth #6	004-075-00	
*	Kit, Oil Collector (includes B,.C, 30, 31, 32, 33, 34,)	24-0410-00	

# Performer Cuspidor

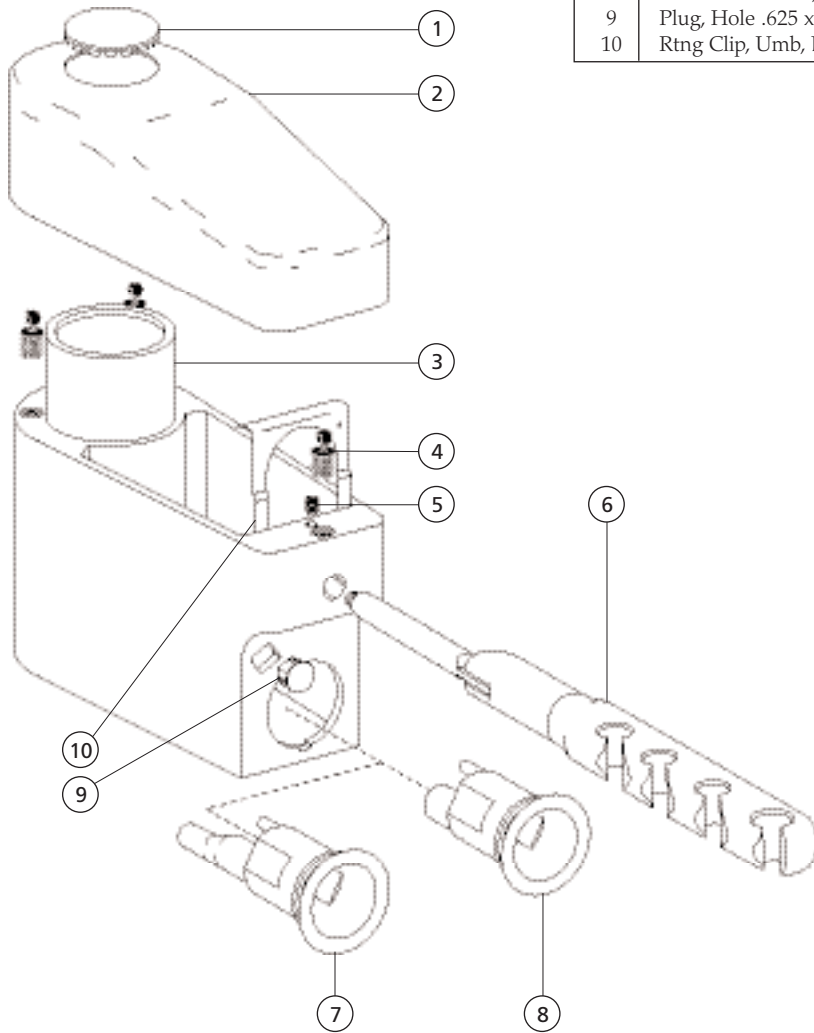


## Performer Cuspidor

REF. NO.	DESCRIPTION	PART NO.	PAGE
1	Upper Housing Assy Performer	76-2011-00	
2	Hole Pl, 1-5/8 Dia, Ptd, Surf 4	28-0684-02	
3	Spout, Cupfill, Performer	12-0985-00	
4	Spout, Bowl Rinse, Performer	12-0986-00	
5	Screen, Cuspidor Bowl	75-0035-01	
6	Snap, Female	025-087-00	
7	Wshr, Flat, St Stl .195 ID x .312 OD	004-181-00	
8	Screw, Soc Hd, 10-32 x 1 3/4, S	002-124-00	
9	Air Saliva Evacuator Assy	11-1105-00	
-	Saliva Ejector Assy, Water	12-0500-00	
10	Grommet, 19/32 ID x 47/64	018-098-00	
11	Bail, ASE Retaining, Performer	12-1016-00	
12	Manifold Retainer Assy Perf	12-0976-00	
13	Hsg, Water, Actuator, Perf Cusp	12-0987-00	
14	Spout Seal, Wtr Mani, Perf Cusp	12-0988-00	
15	Spring, .420 OD x .88	013-004-00	
16	Actuator Assy, Water Mani	12-1013-00	
17	Rtng Ring, Intl .750 Dia, pkg 10	010-045-02	
18	Retainer, diaphragm, Perf	12-0983-00	
19	Diaph, Wtr Mani, Perf Cusp, pkg 4	12-0982-01	
20	Manifold Assembly, Performer	12-0973-00	90
21	Scr, 10-32 x 3/4, Soc Hd	002-073-00	
22	Hold Down Drain, Performer	12-0995-00	
23	Reg Assy, 40 psi, w/o Barbs	24-0388-02	
24	Drain Seal, Performer Cuspidor	12-0991-00	
25	Toggle Valve Assy, 1/4 x 1/4	12-1070-00	
26	Snap, Male	025-088-00	
27	Plug, Hole, 1/2" Dia, Surf 4	018-002-04	
28	Holder Assy, 4 Pos, Performer	12-1207-00	
-	Elect Hldr Assy, 15 MM, Performer	12-1213-00	
-	Holder Assy, 3 Pos, Performer	12-1210-00	
29	Plug, Hole .625 x .55, Surf 4	018-086-00	
30	Vacuum, Canister, Univ, 3/4" Out	12-0979-00	
31	Plug/Cap, 1/2" OD x 1/4" ID	028-008-00	
32	Hole Plug, Vac Canister, Performer	12-0984-00	
33	Screw, 10-32 x 1, Soc Hd	002-125-00	
34	Wshr, Flat, St Stl .195 ID x .312 OD	004-181-00	
35	Clamp, Holder Bar, Perf Cusp	12-1208-00	
36	Ring Clip, Umb, Large	41-0074-00	
37	Drain Tube, Performer Cuspidor	12-0989-00	
38	Lwr, Hsg, Cuspidor, Perf	76-2020-02	
39	Coupler, ASE/WSE Drain	11-1112-00	
40	Air Vacuum Generator Assy	11-1100-00	
41	Screw, Soc, Hd, 10-32 x 1/4 S Stl	002-123-00	
42	Cap Assy, Self-Contained Water	14-0408-00	
43	Nut, Lock, Hex, Flange, 1/4-20	006-089-00	
44	Retainer, Drain Vent, Perf, Pass	12-0996-00	
45	Tilt Rod, Fill/Rinse, Perf, ( 2 rods)	12-0977-01	

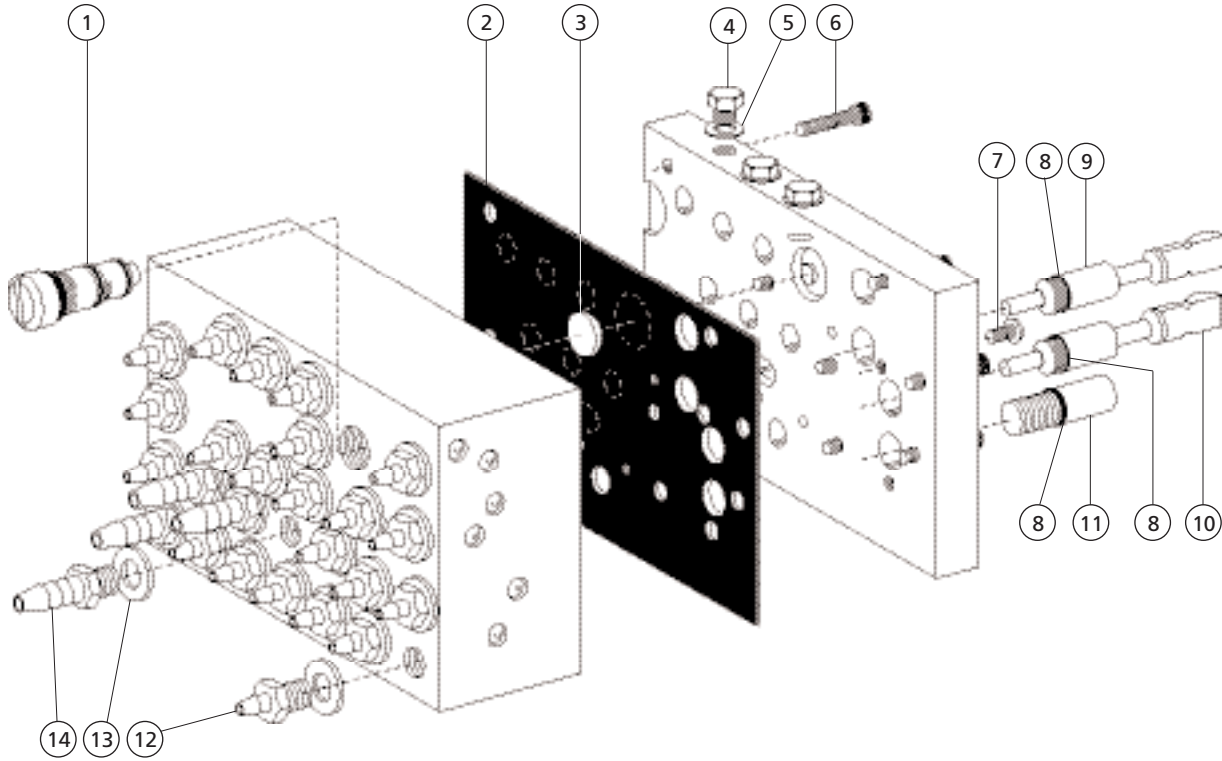
## Performer Assistant's

REF. NO.	DESCRIPTION	PART NO.
1	Hole Plug, 1-5/8 Dia, Ptd, Surf 4	28-0684-02
2	Cover, Asst Housing, Perf II	76-5012-00
3	Housing, Asst pkg, Perf II	76-5011-00
4	Snap, Male, .312 Dia	025-096-00
5	Setscrew, Soc Cone Pt, 10-32 x 3/8	007-048-00
6	Holder Assy, 4 Pos, Performer	12-1207-00
-	Elect Hldr Assy, 15 MM, Perf	12-1213-00
7	Vacuum Canister, Plastic, Univ	12-0979-00
8	Vacuum Canister, Univ, 3/4" Out	12-0979-01
9	Plug, Hole .625 x .55, Surf 4	018-086-00
10	Rtng Clip, Umb, Large	41-0074-00



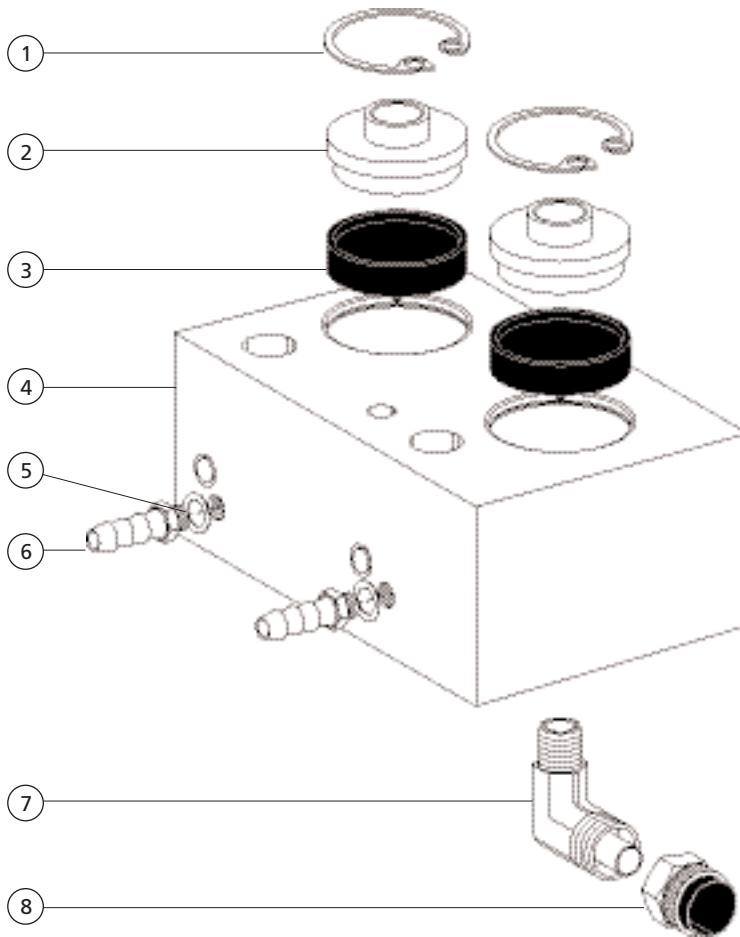


## Performer Control Block 38-0729-00



REF. NO.	DESCRIPTION	PART NO.
1	Water Relay Assy, Performer	38-0717-00
2	Diaphragm, Control Block, Perf	38-0711-01
3	Actuator, Water Valve, Performer	38-0718-00
4	Plug, Hex Hd, 10-32	021-016-04
5	Washer, Flat, Nylon, .187 ID	004-005-02
6	Screw, Soc Hd, 4-40 x 1/2 SST	001-021-00
7	Scr, Truss Hd, Phil 4-40 x 3/16	001-209-00
8	O-ring, AS568-004	030-004-02
9	Stem Assy, Water, Perf	38-0712-00
10	Stem Assy, Air, Perf	38-0713-00
11	Stem Assy, Flow Cont., Perf	38-0766-02
12	Barb, 1/8 x 10-32	023-004-03
13	Washer, Flat, Nylon, .187 ID	004-005-02
14	Barb, 1/4 x 10-32	023-001-03
*	Kit, Perf Control Blk Service (includes 1, 2 and 3)	38-1775-00

## Performer Manifold Assembly 12-0973-00



REF. NO.	DESCRIPTION	PART NO.
1	Retaining Ring, Intl .750 Dia	010-045-01
2	Retainer, Diaphragm, Perf	12-0983-00
3	Diaphragm, Water Mani, Perf, Cusp	12-0982-00
4	Manifold, Water, Performer	12-0981-00
5	Washer, Flat, Nylon, .187 ID	004-005-02
6	Barb, 1/4 x 10/32	023-001-03
7	Elbow, 3/8 Poly x 1/8 MPT, Unpltd	022-067-00
8	Nut w/Sleeve, 3/8 Poly	022-014-01